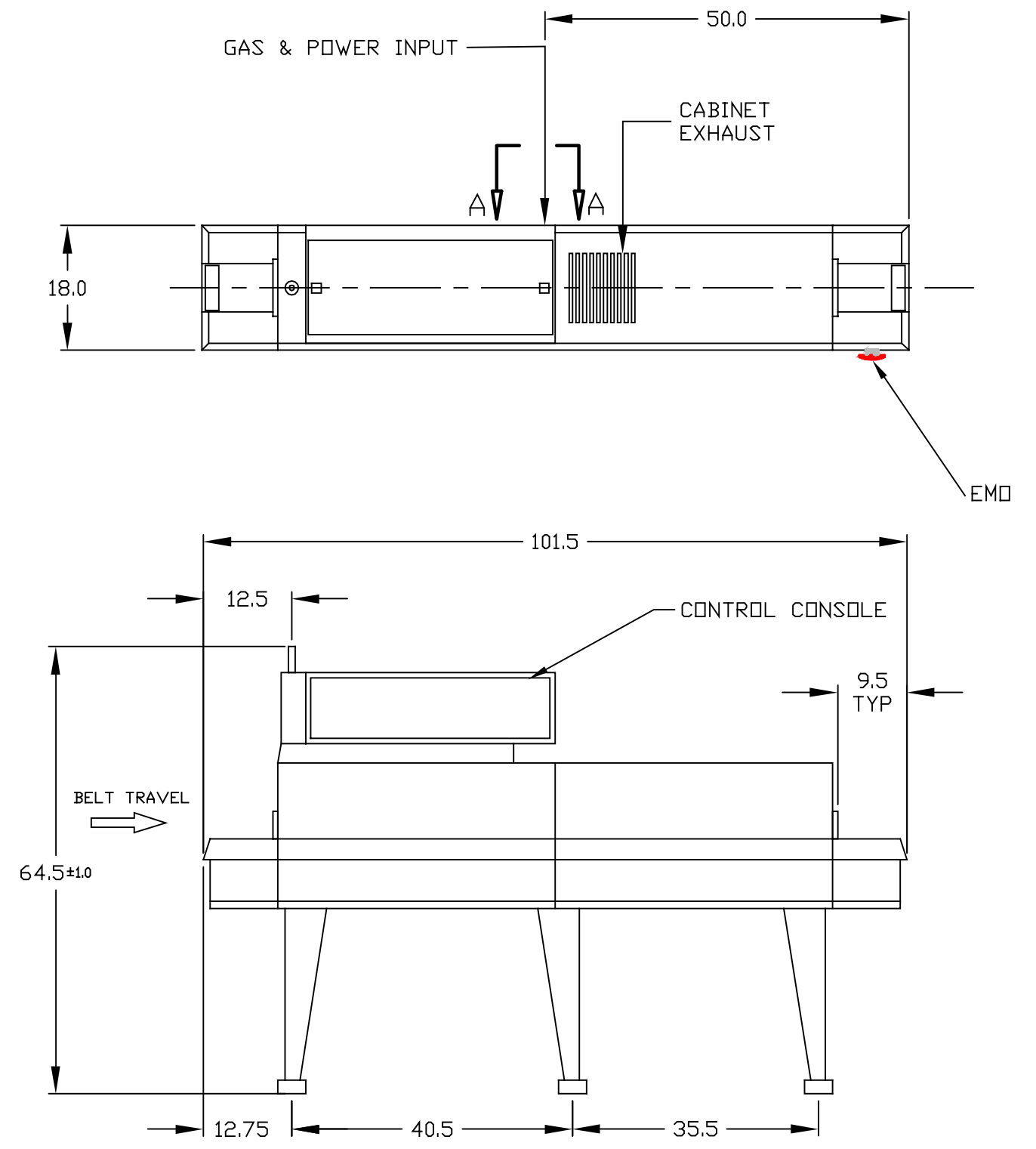
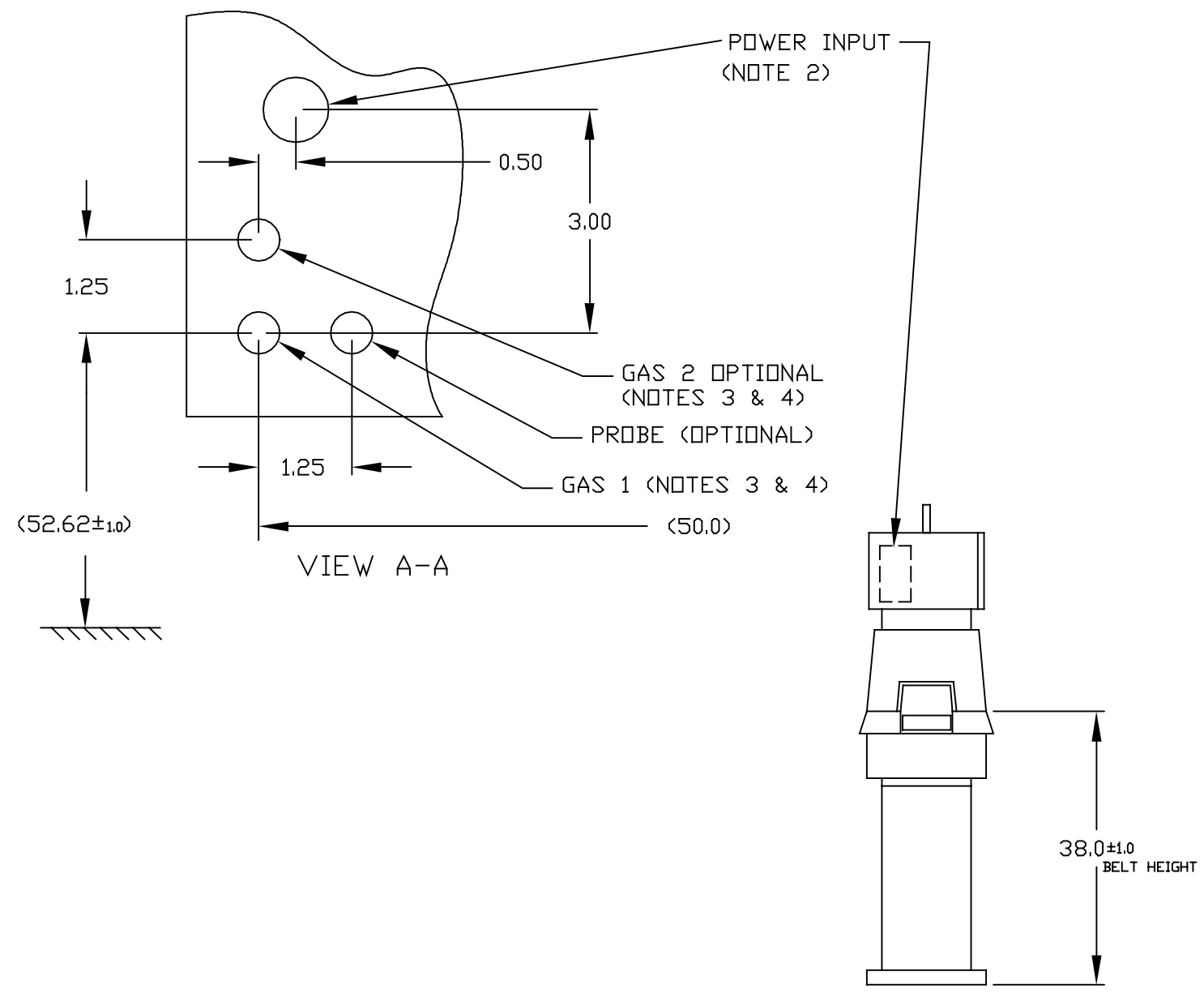



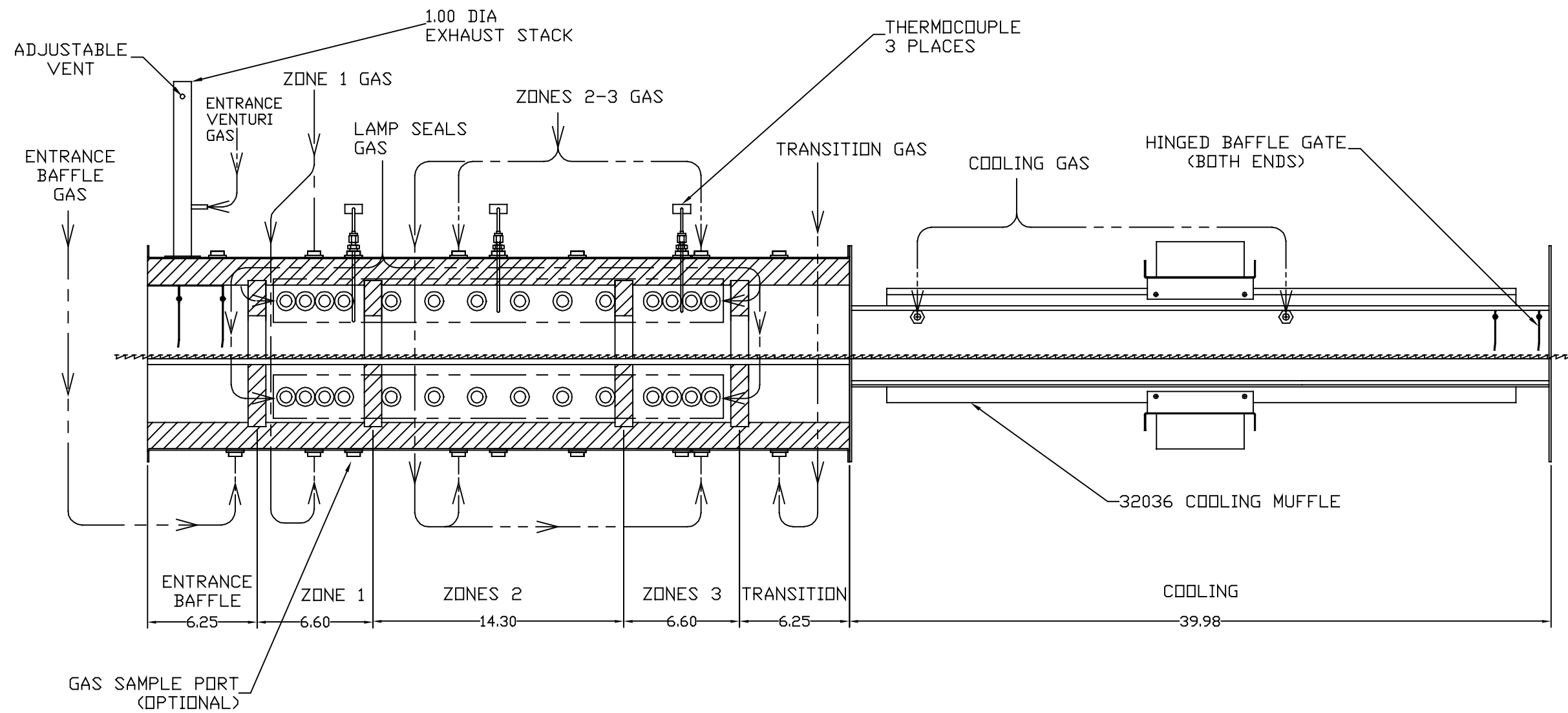
REVISIONS			
REV	DESCRIPTION	DATE	APPROVED



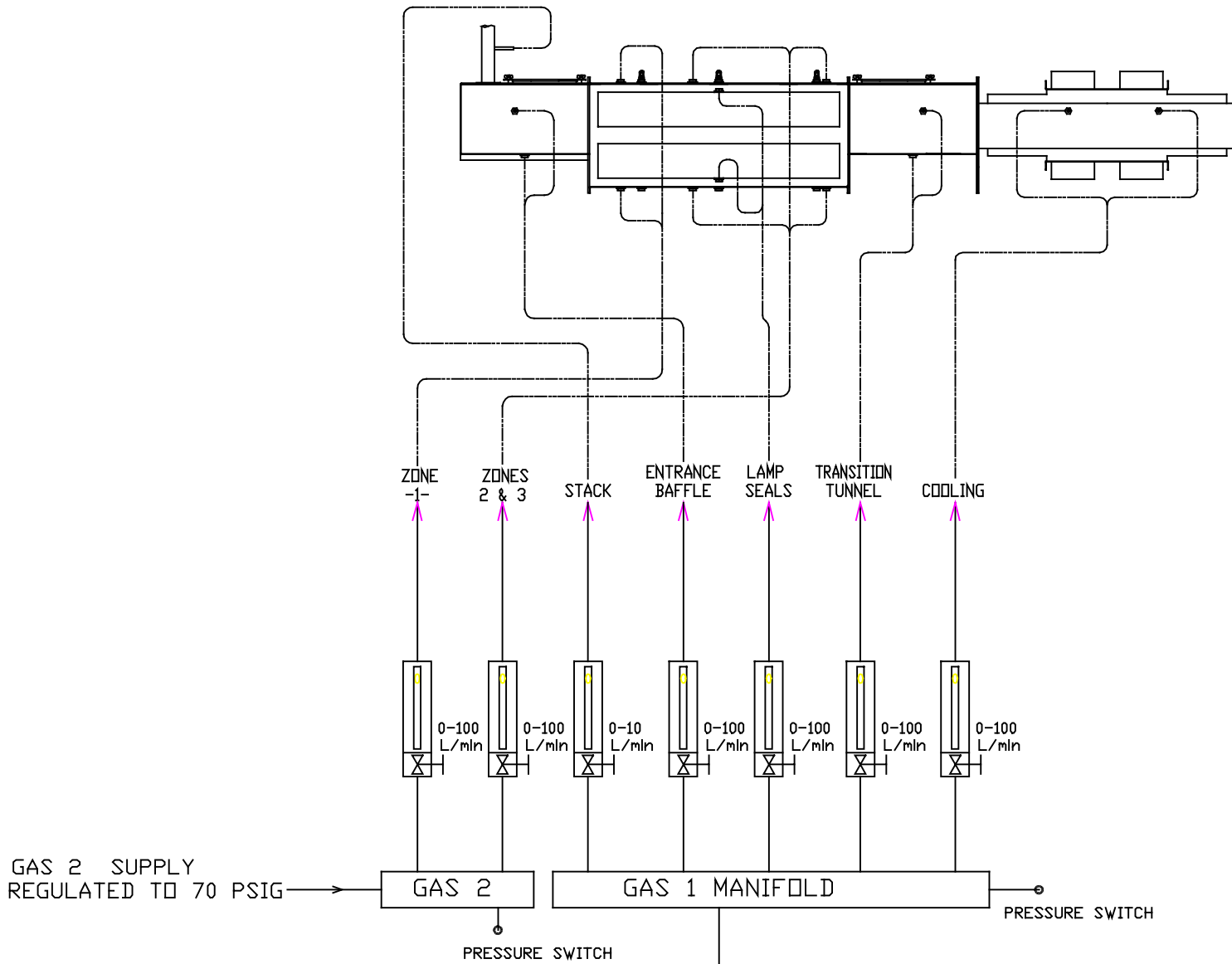
NOTES, UNLESS OTHERWISE SPECIFIED:


1. FOR COMPLETE INSTALLATION INSTRUCTIONS CONSULT FURNACE OPERATING MANUAL.
2. POWER INPUT: 208-220 VAC, 1-PHASE. RECOMMEND #8 AWG WIRE.
3. PROCESS GAS INPUT: 1/4 MNPT, 60-70 PSIG.
4. OWNER MUST SUPPLY PRESSURE REGULATOR TO REGULATE PROCSS GAS TO 70 PSIG MAXIMUM.

		UNLESS OTHERWISE SPECIFIED DIMENSIONS ARE IN INCHES TOLERANCES ARE: DECIMALS ANGLES FRACTIONS XX ± .03 XX±.5° X/X±1/32 XXX ± .010 XX.X±.2°		PROPOSAL NO.		 LCI Furnaces DIVISION OF LOCHABER CORNWALL INC	
		MATERIAL		APPROVALS		DATE	
CONFIG.		FINISH		DRAWN C ROODDE		TITLE FURNACE ARRANGEMENT RTC LA-306	
NEXT ASSY		USED ON		CHECKED		ISSUED	
APPLICATION		DO NOT SCALE DRAWING				SIZE MODEL NO. DWG. NO. REV. SCALE NONE RTC LA-306 803-100267-02 SHEET 1 OF 1	



PROPRIETARY AND CONFIDENTIAL THE INFORMATION CONTAINED IN THIS DRAWING IS THE SOLE PROPERTY OF LOCHABER CORNWALL, INC. ANY REPRODUCTION IN PART OR AS A WHOLE WITHOUT THE WRITTEN PERMISSION OF LOCHABER CORNWALL, INC. IS PROHIBITED.	UNLESS OTHERWISE SPECIFIED DIMENSIONS ARE IN INCHES TOLERANCES ARE: DECIMALS ANGLES FRACTIONS .X ±.5 XX±.5° X/X±1/4 .XX ±.03 XX.X±.2°	radiant technology corp. 1335 S. Acacia Ave., Fullerton, California 92831-5315	
	MATERIAL FINISH DO NOT SCALE DRAWING	APPROVALS DRAWN CHECKED ISSUED	DATE
		SIZE MODEL NO. DWG. NO. REV. SCALE NONE 803-091734-02 -	SHEET 1 OF 1



PROPRIETARY AND CONFIDENTIAL THE INFORMATION CONTAINED IN THIS DRAWING IS THE SOLE PROPERTY OF LOCHABER CORNWALL, INC. ANY REPRODUCTION IN PART OR AS A WHOLE WITHOUT THE WRITTEN PERMISSION OF LOCHABER CORNWALL, INC. IS PROHIBITED.	UNLESS OTHERWISE SPECIFIED DIMENSIONS ARE IN INCHES TOLERANCES ARE: DECIMALS ANGLES FRACTIONS .X .X5 .X25 X/32 X/64 .01 .005 .0025	APPROVALS DATE	 LCI Furnaces DIVISION OF LOCHABER CORNWALL INC	
	MATERIAL	DRAWN C RIDDIE 10/29/12		TITLE PROCESS GAS PLUMBING 3 - ZONE DUAL GAS
	FINISH	CHECKED ISSUED		SIZE MODEL NO. DWG. NO. 801-090342-02
	DO NOT SCALE DRAWING	SCALE NONE		REV. - SHEET 1 OF 1